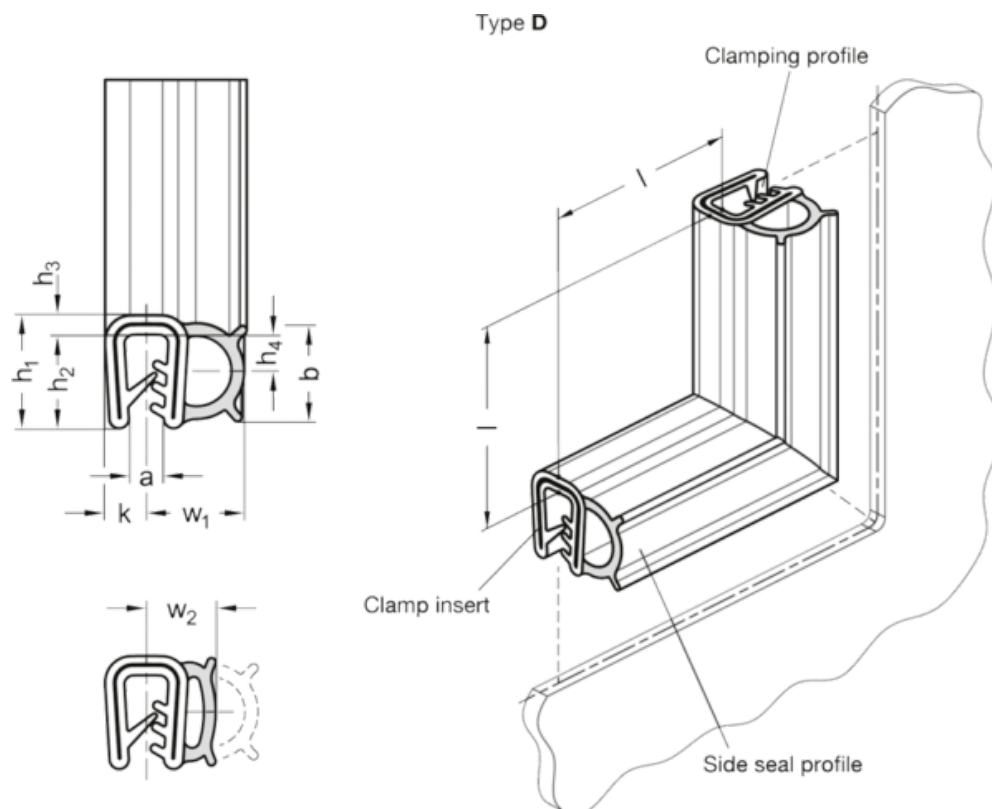


Article number: 202181EPDM13D250

Description: E+G Edge protection seal GN 2181-EPDM-13-D-250

## Measures



a = 1 - 3.5	w1 = 11.25
b = 11	w2 up to 50% deformation = 8.75
h1 = 13	Weight in (g) = 70
h2 = 10.75	
h3 = 2.25	
h4 = 4.5	
l = 250 ±2.5	
k = 4.75	